

252

A

نام:  
نام خانوادگی:  
محل امضا:



252A

عصر پنجشنبه

۹۵/۰۲/۱۶



«اگر دانشگاه اصلاح شود مملکت اصلاح می‌شود.»

امام خمینی (ره)

جمهوری اسلامی ایران  
وزارت علوم، تحقیقات و فناوری  
سازمان سنجش آموزش کشور

**آزمون ورودی دوره‌های کارشناسی ارشد ناپوسته داخل - سال ۱۳۹۵**

**مهندسی فناوری اطلاعات (IT) - کد ۱۲۷۶**

مدت پاسخگویی: ۱۸۰ دقیقه

تعداد سؤال: ۱۰۵

عنوان مواد امتحانی، تعداد و شماره سؤالات

ردیف	مواد امتحانی	تعداد سؤال	از شماره	تا شماره
۱	زبان عمومی و تخصصی (انگلیسی)	۳۰	۱	۳۰
۲	دروس مشترک (ساختمان‌های گسسته، ساختمان داده‌ها، طراحی الگوریتم، مهندسی نرم‌افزار، شبکه‌های کامپیوتری)	۳۰	۳۱	۶۰
۳	اصول و مبانی مدیریت	۱۵	۶۱	۷۵
۴	مجموعه دروس تخصصی مشترک (اصول طراحی پایگاه داده‌ها، هوش مصنوعی، سیستم‌های عامل)	۱۸	۷۶	۹۳
۵	معماری کامپیوتر	۱۲	۹۴	۱۰۵

این آزمون نمره منفی دارد.

استفاده از ماشین حساب مجاز نیست.

حق چاپ، تکثیر و انتشار سؤالات به هر روش (الکترونیکی و ...) پس از برگزاری آزمون، برای تمامی اشخاص حقیقی و حقوقی تنها با مجوز این سازمان مجاز می‌باشد و با متغییرین برابر مقررات رفتار می‌شود.

**PART A: Vocabulary**

**Directions:** Choose the word or phrase (1), (2), (3), or (4) that best completes the blank. Then mark the correct choice on your answer sheet.

- 1- This evening's meeting is one in which important issues would be discussed; your attendance is -----.  
1) obligatory      2) didactic      3) relevant      4) explicit
- 2- After a long ----- between the former husband and wife over the custody of the child, the court finally decided to grant the custody to the mother.  
1) contradiction      2) cruelty      3) squabble      4) hesitation
- 3- In Australia, animals are reared on crop residue. Without the animals, these residues would have to be ----- by other means before another crop can be grown—often by burning.  
1) deprived of      2) disposed of      3) resorted to      4) alluded to
- 4- Unable to ----- the tyrannical rules and regulations at the hostel, young Vivian thought of escaping in the dark of the night.  
1) scold      2) acclaim      3) bear      4) treat
- 5- Why do some animals, such as humans, ----- to sleep, whereas others, such as elephants and giraffes, stand?  
1) require      2) snore      3) set up      4) lie down
- 6- With sixteen victories in a row, the Australian cricket team was looking quite unassailable, but they were finally ----- at the hands of the Indians.  
1) dispersed      2) vanquished      3) confronted      4) disregarded
- 7- The salesboy tried to persuade the old man to buy goods from him, but had to give up when the old man told him ----- that he would not buy anything from him.  
1) arbitrarily      2) haphazardly      3) unequivocally      4) necessarily
- 8- But he had become ----- to the rush and whirr of missiles, and now paid no heed whatever to them.  
1) inured      2) rendered      3) constrained      4) affirmed
- 9- The judge openly associated with racist organizations; nevertheless, he showed no ----- in his decisions during his career.  
1) uniqueness      2) dexterity      3) gratitude      4) prejudice
- 10- I don't have any explanation for his ----- behavior at last night's party, though I'm sure that he is quite apologetic about it.  
1) credible      2) resolute      3) distinct      4) bizarre

**PART B: Cloze Passage**

**Directions:** Read the following passage and decide which choice (1), (2), (3), or (4) best fits each space. Then mark the correct choice on your answer sheet.

Where do such creative sparks come from? How can we conjure them whenever we want? And why can that be (11) ----- anyway? A complete understanding isn't here yet, (12) ----- neuroscientists are already on the trail of (13) ----- . They also have some good news for each of us (14) ----- to ignite those inventive fires. As it turns out,

(15) ----- our own muse may be easier than we think, especially if we learn to make a habit of it.

- 11- 1) infernally difficult so to do                      2) so infernally difficult to do  
       3) difficult infernally to do so                      4) to do so infernally difficult
- 12- 1) in spite of                      2) however                      3) nonetheless                      4) but
- 13- 1) where and how does creativity arise                      2) creativity how and where it arises  
       3) where and how creativity arises                      4) creativity does arise where and how
- 14- 1) who has ever struggled                      2) struggled ever  
       3) have ever struggled                      4) ever to struggle
- 15- 1) we tap                      2) when we tap                      3) and taps                      4) tapping

### **PART C: Reading Comprehension:**

**Directions:** Read the following three passages and answer the questions by choosing the best choice (1), (2), (3), or (4). Then mark the correct choice on your answer sheet.

#### **PASSAGE 1:**

Are cell phones dumbing down the human race? According to a new study out of Britain, the answer is a definitive "yes." Too much reliance on technology has reduced our brain power, and it's measurable. Professor Ian Robertson of Trinity College Dublin carried out the study. His research revealed that most citizens in Britain have to remember five passwords, five pin numbers, two number plates, three security ID numbers, and three bank account numbers--quite a lot to just maneuver through life on a daily basis! To get around this, most people use only one or two passwords. This poses potential security breaches for the average person, but also highlights what many people expressed as "information overload." Cell phones, Blackberries, and other memory devices offer a solution to all the numbers and codes the average person has to remember. But Robertson stated that people are relying too much on devices for their memory. And the less you use your memory, the poorer it becomes. The study discovered that one quarter of all Britons couldn't give their home phone number when asked. What's more, only a third of those surveyed could remember more than three birthdays of their immediate family members. The study broke down the figures into age groups, providing some clear results. About one third under the age of 30 couldn't recall their home phone numbers without resorting to a cell phone or other device. In the same age bracket, only 40% could provide important dates, such as birthdays or anniversaries, for family members. For those over 50, 87% could remember details on family. The study also indicated that 58% incorrectly believed it impossible to remember the myriad of numbers and codes they use every day.

- 16- **According to the passage, cell phones are making humans:**  
       1) Smarter                      2) Stupid                      3) More effective                      4) More efficient
- 17- **People today have poorer memory because:**  
       1) They do not need to strong memory  
       2) They use devices in place of memory  
       3) They do not use their memory as before  
       4) Their brain power compensates for their poor memory

- 18- Which of the following sentence is correct:
- 1) A few people in Britain do not know their number
  - 2) Many people in Britain do not know their number
  - 3) Most people in Britain do not know their number
  - 4) Half of the people in Britain do not know their number
- 19- Which of the following sentence is correct:
- 1) Older people couldn't remember details on family
  - 2) Older people remember only birth dates but not numbers and codes
  - 3) Older people remember numbers and family details better than young people
  - 4) Older people couldn't remember numbers and codes as well as young people
- 20- People can't remember numbers well because:
- 1) They do not need to remember numbers
  - 2) They have so many passwords to remember
  - 3) They do not have many numbers to remember
  - 4) They rely too much on their cell phones and devices

**PASSAGE 2:**

Computers have become intertwined with nearly every aspect of our society, and their disappearance would be inconceivable. We take them for granted, as we do the technological advancements that appear every few years, almost like clockwork. Computers get quicker, the Internet offers more information, and other household devices like TVs and DVD players simply do more. But what would happen if the advancements and breakthroughs arrived at the pace of a tortoise instead of a hare? Or what would happen if it all just came to a complete standstill? It's a realistic scenario, and microchip manufacturers are concerned. The chips, which power all our electronics nowadays, have begun to reach technological limits because they just can't shrink much more in size. To stave off the impending problem, manufacturers have poured billions of dollars into research and development, working toward chips that blend computing muscle with innovative behavior. The microchips will handle their tasks with greater finesse, and thereby hopefully avert the looming problem. Think smart chips capable of adjusting their function based on the needs of the program and the user. However, the paucity of answers beyond that point serves as a portent for the end of the digital age, perhaps occurring around 2020. It's a race among chip manufacturers, as they scramble to maintain Moore's law. Gordon Moore, the founder of Intel, anticipated that the processing power of a chip would double every two years. So far, he's been right on the money. In fact, microchips have outstripped expectations, for their processing power has better than doubled every two years. A slow down or end of the digital age would prove detrimental to the economies around the world. Electronics would cost more, on top of which consumers wouldn't upgrade because of fewer new products.

- 21- According to the passage, what do we take for granted?
- 1) Computers
  - 2) Clockwork
  - 3) Technological Advances
  - 4) Intertwined aspect of our society

- 22- **What is the problem discussed in the passage:**
- 1) Technological Advances is rapidly expanding
  - 2) An unrealistic problem is hypothesized and discussed
  - 3) Technological Advances is soon going to slow down
  - 4) Microchip manufacturers cannot cope with the demands
- 23- **What are microchip manufacturers doing about the problem?**
- 1) Heavily investing in R&D to combine computing power with innovative behavior
  - 2) Moore's law has proved true so far and will prove true for the future
  - 3) Try to shrink the size of their microchip even further
  - 4) They are not concerned about problem
- 24- **What is Moore's law?**
- 1) Size of a chip would double every two years
  - 2) Size of a chip would shrink in half every year
  - 3) Processing power of a chip would double every year
  - 4) Processing power of a chip would double every two years
- 25- **What would cause possible end of digital world?**
- 1) The chips would reach their technological limits because they can not shrink in size anymore
  - 2) Software would take over hardware, so there would be no demand anymore
  - 3) Manufacturers do not make chips anymore since the market is saturated
  - 4) The cost of manufacturing would be prohibitive

**PASSAGE 3:**

The Internet has become an integral aspect of most people's lives, regardless of whether it's used for communication, information, or entertainment. Billions of people around the world send e-mail, chat online, read the news, and maybe even gamble, trade stocks, or play competitive games on a daily basis. Some have progressed into a dangerous realm, as the Internet can provide a sense of instant gratification or induce a withdrawal from the real world exactly like an addiction. A number of psychologists argue that people who become addicted to the Internet already suffer from some form of disorder. For example, someone hooked on Internet gambling would still play in the real world, or someone with image or confidence issues would seek escape through another medium. Other professionals see the addiction as real, though, one which the medical world should recognize and insurance companies should cover treatment for. While doctors and other experts debate the issue, South Korea has acted on the problem it views as egregious. In addition to counseling centers and treatment programs at hospitals, a rehab center for teens has recently been established. The country held the world's first international symposium on compulsive Internet disorder, too. Ninety percent of South Korean homes have Internet access, and online gaming is a well-recognized national sport. Children ditch school for marathon gaming sessions. Some gamers have even dropped dead after days and days online, deprived of sleep. The rehab center offers teens the opportunity to connect with the real world, and rediscover satisfaction from it. During the twelve days, participants are barred from computers and may only use a cell phone one hour per day. The remaining time gets filled with physical



exercise and group activities geared towards establishing real-life emotional bonds. The center must turn away roughly four applicants for each available opening.

**26- Can internet be dangerous?**

- 1) No, since everyone knows how to use it correctly
- 2) No, it is just a venue to get news, information, etc.
- 3) Yes, since it provides a sense of instant gratification or induce a withdrawal from the real world
- 4) Yes, because it exposes people to some realities of the real world that might not be comprehensible for them

**27- What is Compulsive Internet Disorder is referring to?**

- 1) A mental problem linked to the internet
- 2) Addiction to the Internet beyond self control
- 3) A lifestyle abnormality which is under control
- 4) An internet virus or malware affecting many computers

**28- Which of the following is not implied by the article?**

- 1) It is a real problem and should be treated
- 2) It is not a real addiction and does not need medical attention
- 3) People who have a kind of disorder become addicted to the internet
- 4) It is such a serious issue that insurance companies must cover the treatment costs

**29- According to the passage:**

- 1) Korean kids play online games at school
- 2) Korean kids only play online games after school
- 3) Korean kids escape schools to play online games
- 4) Korean kids are banned to play online games at school

**30- The rehab centers in Korea:**

- 1) Accept all applicants
- 2) Accept most applicants
- 3) Can only take one applicant out of five
- 4) Can take four applicants for every opening

دروس مشترک (ساختمان‌های گسسته، ساختمان داده‌ها، طراحی الگوریتم، مهندسی نرم‌افزار، شبکه‌های کامپیوتری):

۳۱- ده سکه با ارزش‌های به ترتیب ۳ تا ۱۲ داده شده است. چند مجموع مختلف بیش‌تر از صفر با این سکه‌ها می‌توان ساخت؟

(۱) ۶۶ (۲) ۷۱ (۳) ۷۴ (۴) ۷۸

۳۲- کدام یک از گزینه‌های زیر عکس نقیض این جمله است: «شما در بازی برنده می‌شوید، اگر قوانین را بدانید ولی مغرور نباشید.»؟

- (۱) اگر قوانین را ندانید یا مغرور باشید بازی را می‌بازید.
- (۲) شرط لازم برای برد در بازی این است که قوانین را بدانید یا مغرور نباشید.
- (۳) اگر بازی را ببازید آن‌گاه قوانین را نمی‌دانید یا مغرور هستید.
- (۴) اگر قوانین را بدانید و مغرور باشید آن‌گاه بازی را برنده می‌شوید.

۳۳- فرض کنید  $f$  و  $g$  دو تابع روی اعداد حقیقی هستند که یکی صعودی و دیگری نزولی است. اگر تعریف کنیم  $h_1 = f \circ g$  و  $h_2 = g \circ f$ ، کدام گزاره در مورد این توابع صحیح است؟

- (۱) توابع  $h_1$  و  $h_2$  هر دو صعودی هستند.
- (۲) توابع  $h_1$  و  $h_2$  هر دو نزولی هستند.
- (۳) یکی از دو تابع  $h_1$  و  $h_2$  صعودی و دیگری نزولی است.
- (۴) توابع  $h_1$  و  $h_2$  لزوماً صعودی یا نزولی نیستند.

۳۴- جواب عمومی معادله‌ی بازگشتی  $a_n = 6a_{n-1} - 9a_{n-2}$  کدام است؟

- (۱)  $a_n = \alpha 3^n$
- (۲)  $a_n = \alpha 3^n + \beta 9^n$
- (۳)  $a_n = \alpha 6^n + \beta 9^n$
- (۴)  $a_n = \alpha 3^n + \beta n 3^n$

۳۵- چند تا از گزاره‌های زیر در مورد مجموعه‌ها صحیح‌اند؟

- اجتماع هر مجموعه‌ی شمارا با هر مجموعه‌ی ناشمارا، ناشمارا است.
- ضرب دکارتی هر مجموعه‌ی شمارای ناتهی در هر مجموعه‌ی ناشمارا، ناشمارا است.
- ناشمارا مجموعه‌ی ناشمارا وجود دارد که اشتراک هر دو تایی آن‌ها شمارا و ناتهی است.

(۱) ۰ (۲) ۱ (۳) ۲ (۴) ۳

۳۶- رقم یکان عدد  $4^{1395} + 3^{1395} + 2^{1395} + 1$  چند است؟

(۱) ۰ (۲) ۲ (۳) ۶ (۴) ۸

۳۷- چندتا از گزاره‌های زیر درست‌اند؟

$f(n) = \Theta(n) \wedge g(n) = \Omega(n) \Rightarrow f(n)g(n) = \Omega(n^2)$  •

$f(n) = \Theta(1) \Rightarrow n^{f(n)} = \mathcal{O}(n)$  •

$f(n) = \Omega(n) \wedge g(n) = \mathcal{O}(n^2) \Rightarrow g(n)/f(n) = \mathcal{O}(n)$  •

$f(n) = \mathcal{O}(n^2) \wedge g(n) = \mathcal{O}(n) \Rightarrow f(g(n)) = \mathcal{O}(n^2)$  •

$f(n) = \mathcal{O}(\log n) \Rightarrow 2^{f(n)} = \mathcal{O}(n)$  •

۴ (۴)

۳ (۳)

۲ (۲)

۱ (۱)

۳۸- یک لیست پیوندی دوطرفه داده شده است. می‌خواهیم این لیست را بدون جابجا کردن مقادیر درون گره‌ها و تنها با تغییر اشاره‌گرهای بین گره‌ها مرتب کنیم. با کدام یک از روش‌های زیر می‌توان این لیست را با کم‌ترین تعداد تغییر اشاره‌گرها مرتب کرد؟

(۲) مرتب‌سازی حبابی

(۱) مرتب‌سازی سریع

(۴) مرتب‌سازی درجی

(۳) مرتب‌سازی ادغامی

۳۹- فرض کنید که کلیدهای زیر با ترتیب دل‌خواهی در یک جدول درهم‌سازی به‌اندازه‌ی ۷ که در ابتدا تهی است درج می‌شود. فرض کنید که مقدار اولیه‌ی تابع درهم‌سازی به‌صورت زیر است و تصادم با واریسی خطی حل می‌شود:

کلید	اندیس درهم‌سازی
B	۳
C	۴
D	۵
F	۰
I	۳
N	۱
U	۱

چندتا از دنباله‌های زیر (از چپ به راست) می‌تواند محتوای جدول باشد؟

FUNBCDI •

CNFUIDB •

CBIDNUF •

FUIDCNB •

FUNIBCD •

۴ (۴)

۳ (۳)

۲ (۲)

۱ (۱)

۴۰- اگر زمان اجرای یک الگوریتم با رابطه‌ی  $T(n) = T(\log n) + \mathcal{O}(n)$  تعریف شود، کدام گزینه مرتبه‌ی زمانی این الگوریتم را نشان می‌دهد؟

تعریف:  $\log^* n = \min\{i \geq 0 : \log^{(i)} n \leq 1\}$  و  $\log^{(i)} n = \log(\log^{(i-1)} n)$

$\mathcal{O}(\log n)$  (۴)

$\mathcal{O}(n)$  (۳)

$\mathcal{O}(n \log^* n)$  (۲)

$\mathcal{O}(n \log n)$  (۱)



۴۱- فرض کنید  $X[1 \dots n]$  و  $Y[1 \dots n]$  دو مجموعه از اعداد دو به دو متمایزند و هر کدام به صورت صعودی مرتب هستند. در چه زمانی می‌توان میانه‌ی تمامی این  $2n$  عدد را به دست آورد؟

- (۱)  $O(n)$       (۲)  $O(n \log n)$       (۳)  $O(\log^2)$       (۴)  $O(\log n)$

۴۲- آرایه‌ی  $A$  به طول  $n$  داده شده است. هدف یافتن دو اندیس  $i < j$  است که  $A[j] - A[i]$  بیشینه شود. در چه زمانی می‌توان این کار را انجام داد؟

- (۱)  $O(n)$       (۲)  $O(n \log n)$       (۳)  $O(n^2)$       (۴)  $O(n \log^2 n)$

۴۳- دنباله‌ی  $A[1..n]$  از اعداد صحیح داده شده است. یک زیردنباله‌ی پیوسته‌ی  $A[i..j]$  از  $A$  را یک «بازه‌ی مثبت» می‌نامیم اگر جمع اعضای  $A[i]$  تا  $A[j]$  بزرگتر از صفر شود. می‌خواهیم کم‌ترین تعداد بازه‌های مثبت که همه‌ی اعداد مثبت  $A$  را پوشش دهد پیدا کنیم. به ازای دنباله‌ی زیر این عدد چند است؟

$$A = \langle 3, -5, 7, -4, 1, -8, 3, -7, 5, -9, 5, -2, 4 \rangle$$

- (۱) ۵      (۲) ۷      (۳) ۲      (۴) ۳

۴۴-  $n$  نفر با ترتیب تصادفی به صف وارد یک باجه می‌شوند. مسئول باجه قرار است اندازه‌ی قد بلندقدترین این افراد را به دست آورد. مسئول باجه یک برگه دارد که در ابتدا بر روی آن صفر نوشته است. او قد هر فرد که وارد باجه می‌شود را اندازه گیری می‌کند و اگر این قد از عدد نوشته شده بر روی برگه بزرگ تر باشد، عدد برگه را خط می‌زند و به جای قد فرد ورودی را می‌نویسد. به این کار او عمل «جابه‌جایی» می‌گوییم. اگر هر نفر با احتمال یکسان بتواند بلندقدترین فرد باشد، در انتها تعداد میانگین عمل جابه‌جایی چندتاست؟ بهترین پاسخ را برای  $n$  بزرگ انتخاب کنید.

- (۱)  $\log_2 n$       (۲)  $n/2$       (۳)  $(n-1)/2$       (۴)  $\ln n$

۴۵- در مورد مسئله‌ی کوله‌پشتی که قرار است یک کوله‌پشتی به اندازه‌ی  $M$  (عدد صحیح) را با  $N$  نوع بار با وزن‌های متفاوت ولی با ارزش یکسان کاملاً پر کنیم، اگر از هر نوع بار به تعداد خیلی زیاد موجود باشد، کدام گزاره درست است؟ بهترین گزینه را انتخاب کنید.

- (۱) این مسئله ان‌پی-سخت است.  
 (۲) برای این مسئله راه‌حل  $O(N \log M)$  وجود دارد.  
 (۳) برای این مسئله راه‌حل  $O(M \log N)$  وجود دارد.  
 (۴) اگر از هر نوع بار فقط یک عدد داشته باشیم، مسئله در زمان چندجمله‌ای قابل حل است.

۴۶- چند تا از گزاره‌های زیر درست است؟

الف) با یک الگوریتم خطی  $O(V + E)$  می‌توان تشخیص داد که یک DAG مسیر همیلتنی دارد یا خیر.

ب)  $MST \leq_P \text{3SAT}$

ج)  $\text{3SAT} \leq_P MST$

(۱) ۰ (۲) ۱ (۳) ۲ (۴) ۳

۴۷- فرض کنید  $A$  یک دنباله‌ی صعودی از اعداد طبیعی متمایز باشد. کدام یک از الگوریتم‌های زیر طول بزرگ‌ترین زیردنباله‌ی صعودی (نه لزوماً پیوسته‌ی)  $A$  را به درستی محاسبه می‌کند؟

الف) مرتب‌شده‌ی  $A$  را در  $B$  نگه می‌داریم. سپس بزرگ‌ترین زیردنباله‌ی مشترک  $A$  و  $B$  را محاسبه و گزارش می‌کنیم.

ب) طول بزرگ‌ترین دنباله‌ی صعودی منتهی به  $A[i]$  را در  $B[i]$  نگه می‌داریم. برای محاسبه‌ی  $B[i]$  بین تمام  $j$ هایی که  $i < j$  و  $A[j] < A[i]$  هستند فرض کنید  $j'$  دارای بیش‌ترین  $B[j']$  باشد.  $B[i]$  را برابر  $B[j'] + 1$  قرار می‌دهیم. در انتها بین همه‌ی  $B[i]$ ها بیش‌ترین را پیدا کرده و گزارش می‌کنیم.

(۱) الف: درست، ب: درست. (۲) الف: نادرست، ب: درست.

(۳) الف: درست، ب: نادرست. (۴) الف: نادرست، ب: نادرست.

۴۸- چند تا از گزاره‌های زیر درست‌اند؟

الف) با این تغییر می‌توان از الگوریتم دایکسترا برای گراف‌های با وزن منفی استفاده کرد. به وزن همه‌ی یال‌ها یک عدد ثابت بزرگ اضافه کرده و الگوریتم دایکسترا را بر روی گراف حاصل اجرا می‌کنیم. مسیرهای به‌دست‌آمده کوتاه‌ترین مسیرها در گراف اصلی هستند.

ب) یک درخت پوشای کمینه هیچ‌گاه شامل یال با بیش‌ترین وزن نیست.

ج) وجود یا عدم وجود تور اویلری در یک گراف را می‌توان در زمان خطی تشخیص داد.

(۱) ۰ (۲) ۱ (۳) ۲ (۴) ۳

۴۹- کدام یک از موارد زیر اگر وجود داشته باشد از روش تولید سریع برنامه کاربردی (Application Rapid Development)

نیاید استفاده کرد؟

(۱) ریسک فنی بالا

(۲) واحدمند (Modular) بودن سیستم

(۳) منابع انسانی کافی برای پروژه‌های بزرگ

(۴) تعامل کامل کاربر و تولید کننده سیستم

۵۰- روش سازمان‌دهی باز در مورد مدیریت تیم مهندسی نرم‌افزار مزایای کدام یک از روش‌های سازمان‌دهی را در خود دارد؟

(۱) روش تصادفی و روش هم‌زمان

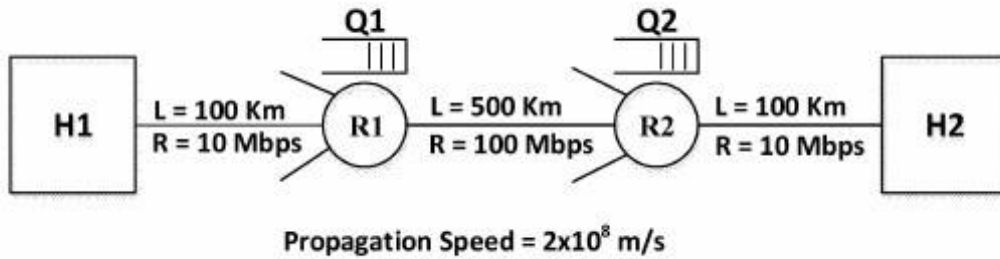
(۲) روش بسته و روش تصادفی

(۳) روش هم‌زمان و روش کنترل شده غیرمتمرکز

(۴) روش کنترل شده غیرمتمرکز و روش تصادفی

- ۵۱- روش محاسبه اندازه سیستم Feature Point برای استفاده در مورد چه نوع سیستم‌هایی توصیه می‌شود؟
- (۱) سیستم‌هایی که بزرگ هستند.
  - (۲) سیستم‌هایی که توزیع شده هستند.
  - (۳) سیستم‌هایی که با تکنولوژی‌های جدید تولید می‌شوند.
  - (۴) سیستم‌هایی که پیچیدگی الگوریتمی آنها بسیار بالاست.
- ۵۲- کدام یک از جملات زیر در مورد اندازه کارآیی زدودن نقایص (Defect Removal Efficiency) درست است؟
- (۱) از DRE می‌توان در طی پروژه برای ارزیابی توانایی تیم در تولید هر چه سریع‌تر سیستم استفاده کرد.
  - (۲) مقدار ایده‌آل برای DRE نزدیک صفر است که نشان می‌دهد تقریباً هیچ نقصی در نرم‌افزار پیدا نشده است.
  - (۳) از DRE پس از اتمام پروژه و برای برنامه‌ریزی جهت تأمین نیروی انسانی پروژه‌های بعدی می‌توان استفاده کرد.
  - (۴) DRE اندازه‌ای است برای نشان دادن توانایی فعالیت‌های تضمین و کنترل کیفیت که در طی فرایند به کار گرفته شده است.
- ۵۳- اگر ریسک‌های فنی اتفاق به افتد چه خطری ممکن است بروز کند؟
- (۱) زمان‌بندی پروژه عقب می‌افتد و هزینه افزایش می‌یابد.
  - (۲) پیاده‌سازی مشکل و یا غیرممکن می‌شود.
  - (۳) محصولی تولید می‌شود که قسمت فروش نمی‌داند آن را چگونه بفروشد.
  - (۴) پروژه حمایت مدیران رده بالا را از دست می‌دهد.
- ۵۴- اگر پروژه‌ای در شرایط اضطراری باشد، مجموعه وظایف شامل چه وظایفی باید باشد؟
- (۱) وظایف عمومی فرایند، وظایف حمایتی، وظایف تضمین کیفیت
  - (۲) اضطراری بودن شرایط پروژه تأثیری در انتخاب مجموعه وظایف ندارد.
  - (۳) وظایف عمومی فرایند، وظایف ضروری برای تضمین کیفیت، مستندسازی و مرور پس از تحویل
  - (۴) در صورت اضطراری بودن شرایط مدیر پروژه می‌توان هر وظیفه‌ای را که ضروری نمی‌داند حذف کند.
- ۵۵- 10000 ایستگاه برای ارسال اطلاعات خود از یک کانال مشترک با روش دسترسی Slotted ALOHA استفاده می‌کنند. اگر هر ایستگاه 18 ارسال در یک ساعت داشته و اندازه هر برش زمانی (time slot) 100 میکرو ثانیه باشد، بار کانال برحسب تعداد ارسال در هر برش زمانی برابر است با:
- (۱) 0.005
  - (۲) 0.010
  - (۳) 0.015
  - (۴) 0.020
- ۵۶- یک کد همینگ 7 بیتی با مقدار 1011011 به گیرنده می‌رسد. مقدار صحیح این کد چیست؟
- (۱) 1011001
  - (۲) 1011011
  - (۳) 1011010
  - (۴) 1011111

\*\* یک جریان داده (صوت و ویدیو) با نرخ 5 مگا بیت بر ثانیه که در بسته‌های 10000 بیتی قرار دارند از برنامه‌ای در کامپیوتر H1 به برنامه‌ای در کامپیوتر H2 مطابق با شکل زیر، در حال ارسال است. فرض کنید طول صف در بافرهای مسیر یاب‌های R1 و R2، حداکثر 4 بسته و حداقل صفر است. با توجه به اطلاعات داده شده در شکل به سوال‌های 57 و 58 پاسخ دهید.



- ۵۷- حداقل و حداکثر تأخیر یک بسته از زمان ارسال از کامپیوتر H1 و دریافت توسط کامپیوتر H2 به میلی ثانیه چقدر است؟  
 (۱) 13.6 ، 5.6  
 (۲) 9.6 ، 13.6  
 (۳) 5.6 ، 21.6  
 (۴) 9.6 ، 21.6
- ۵۸- حداقل تأخیر زمانی به میلی ثانیه که برنامه در کامپیوتر H2 باید بافر خود را قبل از پخش داده مشاهده کند و حداقل اندازه بافر مورد نیاز به کیلو بیت برای پخش بدون وقفه این جریان چقدر هستند؟  
 (۱) 8 ، 80  
 (۲) 16 ، 80  
 (۳) 8 ، 160  
 (۴) 16 ، 160
- ۵۹- فرض کنید یک برنامه سرویس‌گیرنده (Client) بعد از پیدا کردن آدرس IP کامپیوتر سرویس‌دهنده (Server) می‌خواهد یک صفحه وب که اندازه فایل اصلی آن 200 کیلوبایت و اندازه هر یک از 3 تصویر قرار گرفته در آن 300 کیلوبایت است را از طریق پروتکل HTTP غیر مداوم (Non-Persistent HTTP) که مجاز به ایجاد اتصال موازی نیز است، دریافت کند. اگر زمان رفت و برگشت (RTT) 200 میلی ثانیه، نرخ ارسال هر اتصال 10 مگابیت بر ثانیه و اندازه پیام‌های GET ناچیز باشد، تأخیر دریافت کامل این صفحه وب به میلی ثانیه چقدر است؟  
 (۱) 2110  
 (۲) 1650  
 (۳) 1250  
 (۴) 820
- ۶۰- برنامه مدیریتی Trace Route به چه منظور استفاده می‌شود و از کدام پیام‌های پروتکل ICMP استفاده می‌کند؟  
 (۱) برای تست اتصال مسیر استفاده می‌شود و از پیام‌های Echo Request و Echo Reply استفاده می‌کند.  
 (۲) برای کشف مسیر استفاده می‌شود و از پیام‌های Echo Request و Echo Reply استفاده می‌کند.  
 (۳) برای تست اتصال مسیر استفاده می‌شود و از پیام Time Exceeded استفاده می‌کند.  
 (۴) برای کشف مسیر استفاده می‌شود و از پیام Time Exceeded استفاده می‌کند.

اصول و مبانی مدیریت:

- ۶۱- چه نسخ شخصیتی دارای ویژگی‌های کمرو، پایدار، اصیل، استوار و مطیع می‌باشد؟  
 (۱) سنت‌گرا (۲) سوداگر (۳) واقع‌گرا (۴) هنرگرا
- ۶۲- توانایی مدیریت احساسات و انگیزه‌های خود، کدام بعد هوش هیجانی را توصیف می‌کند؟  
 (۱) خودآگاه (۲) خودانگیزه (۳) خودتدبیر (۴) همدلی

- ۶۳- روش مذاکره را چه زمانی توصیه می‌نمائید؟  
 (۱) وقتی مقاومت از ناحیه گروهی پر قدرت است.  
 (۲) وقتی مقاومت به خاطر اطلاعات نادرست است.  
 (۳) وقتی مقاومت‌کنندگان متخصص در امور هستند.  
 (۴) وقتی مقاومت‌کنندگان نمی‌توانند خود را با شرایط جدید وفق دهند.
- ۶۴- طراحی ساختار براساس گروه‌بندی جغرافیایی به چه معنایی است؟  
 (۱) کارکنان را براساس محل خدمت گروه‌بندی می‌کند.  
 (۲) کارکنان را براساس کار و یا ارتباط با مشتری گروه‌بندی می‌کند.  
 (۳) کارکنان را براساس مناطق اصلی محصول در شرکت گروه‌بندی می‌کند.  
 (۴) کارکنان را براساس مشکلات و نیازمندی‌های مشتریان گروه‌بندی می‌کند.
- ۶۵- قدرت مرجعیت بر پایه چیست؟  
 (۱) مهارت  
 (۲) شخصیت  
 (۳) سلسله مراتب  
 (۴) اجبار
- ۶۶- اگر با سطح دارایی کم‌تر به فروش بیش‌تر دست یافت، نشانه چیست؟  
 (۱) اثربخشی  
 (۲) بهره‌وری  
 (۳) سود  
 (۴) کارایی
- ۶۷- نسبت درآمدها به کل دارایی‌ها را چه می‌نامند؟  
 (۱) نسبت آنی  
 (۲) نسبت جاری  
 (۳) گردش دارایی‌ها  
 (۴) بازده سرمایه‌گذاری‌ها
- ۶۸- اگر تحمل ابهام بالا و نحوه اندیشیدن عقلانی باشد، چه شیوه تصمیم‌گیری مناسب است؟  
 (۱) ادراکی  
 (۲) تحلیلی  
 (۳) دستوری  
 (۴) رفتاری
- ۶۹- معنای «نظریه عدالت در اخلاقیات» چیست؟  
 (۱) حقوق شخصی، آرامش وجدان، آزادی کلام مورد احترام است.  
 (۲) قوانین را به طور منصفانه و بدون تعصب اعمال می‌کند.  
 (۳) تصمیمات صرفاً براساس نتایج یا پیامدها گرفته می‌شود.  
 (۴) اشخاص مورد احترام و حمایت هستند.
- ۷۰- جمله «افراد و دستگاه‌ها باید در مکان و زمان مناسب به کار گرفته شوند» کدام اصل مدیریتی را توضیح می‌دهد؟  
 (۱) اختیار  
 (۲) تقسیم‌کار  
 (۳) عدالت  
 (۴) نظم
- ۷۱- کدام‌یک از موارد زیر از وظایف مدیریت است؟  
 (۱) مشخص کردن کارهایی که باید انجام شود.  
 (۲) مسئول نمایندگی سازمان در مذاکرات مهم.  
 (۳) حفظ شبکه تماس‌های بیرونی که ایجاد کرده است.  
 (۴) تشکیل جلسات هیئت مدیره، ارائه اطلاعات به رسانه‌های جمعی.

- ۷۲- مدیران در سطوح بالاتر به کدام وظیفه کمتر می‌پردازند؟  
 (۱) برنامه‌ریزی  
 (۲) رهبری  
 (۳) سازماندهی  
 (۴) کنترل
- ۷۳- کدام نسخ شخصیتی برای مشاغل حسابداری، مدیر، تولیدار و کارمند بایگانی مناسب است؟  
 (۱) سنت‌گرا  
 (۲) سوداگر  
 (۳) کاوش‌گر  
 (۴) واقع‌گر
- ۷۴- چه ویژگی شخصیتی است که درجه خلاقیت، حساسیت هنری و روشنفکری شخص را توصیف می‌کند؟  
 (۱) برون‌گرایی  
 (۲) توافق‌پذیری  
 (۳) دوام عاطفی  
 (۴) صداقت نسبت به تجارب
- ۷۵- هدف در طی مرحله رسمی‌سازی حیات سازمانی چیست؟  
 (۱) بقا و رشد  
 (۲) تولید کارا  
 (۳) انسجام و رفع تعارض  
 (۴) سازگاری تجدید ساختار

مجموعه دروس تخصصی مشترک (اصول طراحی پایگاه داده‌ها، هوش مصنوعی، سیستم‌های عامل):

- ۷۶- با وجود رابطه‌های ST، CO و STCO در مورد دیدهای تعریف شده V1 و V2، کدام گزینه از لحاظ تئوری صحیح است؟

دانشجویان (ST (STID, STNAME, STLEVEL, STMAJOR)

درس‌ها (CO (COID, CONAME, CREDIT)

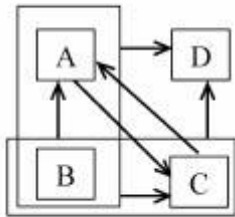
درس‌های انتخاب شده توسط دانشجویان (STCO (STID, COID, GRADE)

CREATE VIEW V1	CREATE VIEW V2
AS SELECT ST.STID, STNAME, COID	AS SELECT STID, AVG(GRADE)
FROM ST JOIN STCO	FROM STCO
	GROUP BY STID

- (۱) دید V1 و دید V2 هر دو پذیرای عملیات ذخیره‌سازی (Updatable) هستند.  
 (۲) دید V1 و دید V2 هر دو ناپذیرا (Non-Updatable) هستند.  
 (۳) دید V1 پذیرا ولی دید V2 ناپذیرا است.  
 (۴) دید V1 ناپذیرا ولی دید V2 پذیرا است.



۷۷- فرض کنید در رابطه  $R(A, B, C, D)$ ،  $(AB)$  کلید اصلی و  $(BC)$  کلید کاندید و روابط وابستگی تابعی به صورت زیر باشد. کدام گزینه در خصوص این رابطه صحیح است؟

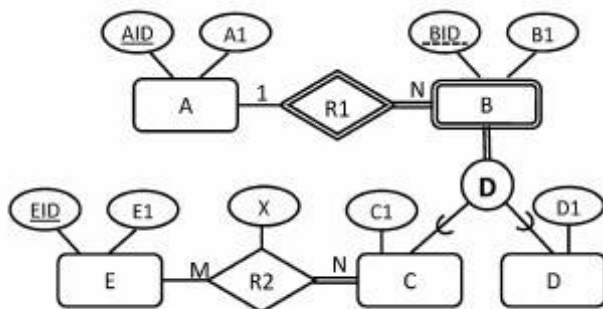


- (۱) رابطه  $R$  در فرم نرمال  $3NF$  است ولی  $BCNF$  نیست.
- (۲) رابطه  $R$  در فرم نرمال  $BCNF$  است.
- (۳) رابطه  $R$  در فرم نرمال  $3NF$  نیست.
- (۴) رابطه  $R$  در فرم نرمال  $2NF$  نیست.

۷۸- با فرض وجود نمودار  $EER$  زیر کدام یک از رابطه‌های زیر به درستی طراحی نشده است؟

$A(\underline{AID}, A1)$      $B(\underline{BID}, B1)$      $E(\underline{EID}, E1, \underline{AID}, \underline{BID})$

$C(\underline{AID}, \underline{BID}, B1, C1)$      $D(\underline{AID}, \underline{BID}, B1, D1)$      $R2(\underline{AID}, \underline{BID}, \underline{EID}, X)$



- (۱)  $A, B$
- (۲)  $B, E$
- (۳)  $C, D$
- (۴)  $E, C$

۷۹- اگر  $R(A, B, C, D, E)$  یک رابطه در فرم نرمال  $BCNF$  و  $ABC$  تنها کلید  $R$  باشد، کدام یک از وابستگی‌های تابعی زیر حتماً برای  $R$  برقرار است؟

- (۱)  $BCE \rightarrow D$
- (۲)  $ACE \rightarrow D$
- (۳)  $ABD \rightarrow E$
- (۴)  $ABCD \rightarrow E$

۸۰- با توجه به پایگاه داده زیر، عبارت جبر رابطه‌ای معادل پرس‌وجوی زیر کدام است؟

«نام تمامی اعضای را بیابید که همه کتاب‌های منتشر شده توسط McGraw-Hill را به امانت برده‌اند.»

**Member** (mem-no, name, age)

**Book** (isbn, title, author, publisher)

**Borrowed** (mem-no, isbn, date)

$$\Pi_{\langle name \rangle} \left( \left( \Pi_{\langle isbn, name, mem-no \rangle} \text{Borrowed} \bowtie \text{Member} \right) \div \sigma_{\text{publisher}='McGraw-Hill'} \text{Book} \right) \quad (۱)$$

$$\Pi_{\langle name \rangle} \left( \left( \text{Borrowed} \div \sigma_{\text{publisher}='McGraw-Hill'} \text{Book} \right) \bowtie \text{Member} \right) \quad (۲)$$

$$\Pi_{\langle name \rangle} \left( \left( \Pi_{\langle mem-no, isbn \rangle} \text{Borrowed} \div \Pi_{\langle isbn \rangle} \left( \sigma_{\text{publisher}='McGraw-Hill'} \text{Book} \right) \right) \bowtie \text{Member} \right) \quad (۳)$$

$$\Pi_{\langle name \rangle} \left( \text{Borrowed} \bowtie \text{Member} \right) \div \Pi_{\langle isbn \rangle} \left( \sigma_{\text{publisher}='McGraw-Hill'} \text{Book} \right) \quad (۴)$$

۸۱- جدول S جدول تولیدکنندگان، جدول P جدول قطعات و جدول SP جدول ارتباط دهنده آن دو جدول است که مشخص می‌کند چه تولیدکننده‌ای چه قطعه‌ای تولید کرده است. کدام گزینه شماره تولید کنندگانی را می‌دهد که همه قطعات را تولید کرده‌اند؟

**S(S#,SNAME,CITY)**

**P(P#,PNAME, COLOR)**

**SP(S#,P#)**

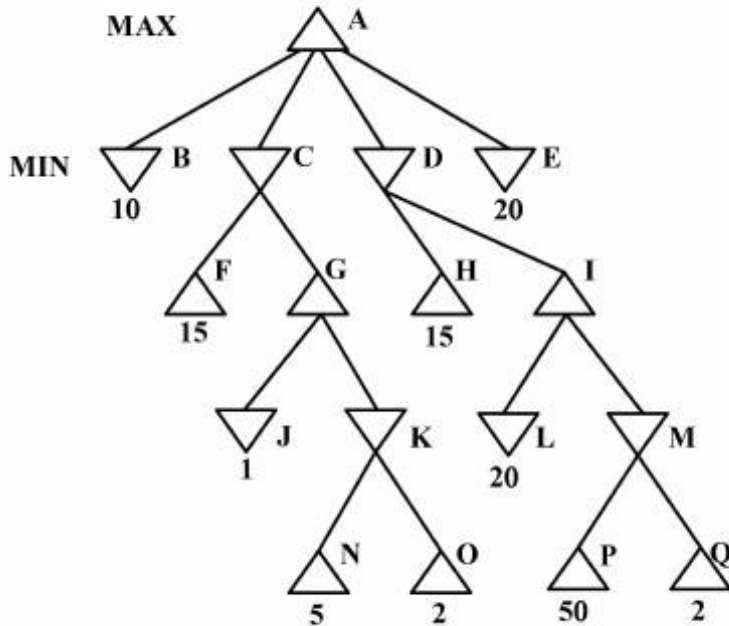
**SELECT S# FROM S WHERE S# IN (SELECT S# FROM SP)** (۱)

**SELECT S# FROM SP GROUP BY S# HAVING COUNT(P#) =  
(SELECT COUNT(P#) FROM SP)** (۲)

**SELECT S# FROM S WHERE EXISTS (SELECT P# FROM P  
WHERE EXISTS (SELECT \* FROM SP  
WHERE S.S# = SP.S# AND P.P# = SP.P#))** (۳)

**SELECT S# FROM S WHERE NOT EXISTS (SELECT P# FROM P  
WHERE NOT EXISTS (SELECT \* FROM SP  
WHERE S.S# = SP.S# AND P.P# = SP.P#))** (۴)

۸۲- با استفاده از روش هرس آلفا - بتا کدام یک از گره‌های درخت زیر هرس می‌شود؟



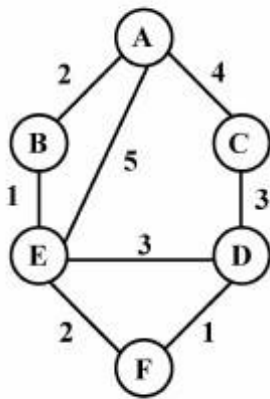
(۱) {G, J, K, N, O, Q}

(۲) {I, L, M, O, P, Q}

(۳) {K, N, O, Q}

(۴) {M, O, P, Q}

۸۳- گراف زیر را در نظر بگیرید. گره A وضعیت شروع و گره F وضعیت هدف را نشان می‌دهند. با استفاده از روش جست‌وجوی uniform cost search ترتیب ملاقات گره‌ها به صورت کدام یک از موارد زیر است؟ عدد کنار هر



بال هزینه عبور از آن یال است.

(۱) A, B, E, C, F

(۲) A, B, E, D, F

(۳) A, B, E, D, C, F

(۴) A, B, E, C, D, F

۸۴- برای آنکه با استفاده از رویه DPLL، بتوان ثابت کرد رابطه  $KB \models Q$ ، بین پایگاه دانش KB و جمله Q برقرار است، کدام یک از گزینه‌های زیر به ترتیب از راست به چپ در خصوص گزاره ورودی و نوع خاتمه این رویه صحیح است؟

(۱) شکست (FAILURE) ،  $(KB \Rightarrow Q)$

(۲) شکست (FAILURE) ،  $(KB \wedge \neg Q)$

(۳) موفقیت (SUCCESS) ،  $(KB \Rightarrow Q)$

(۴) موفقیت (SUCCESS) ،  $(KB \wedge \neg Q)$

۸۵- عبارت  $\neg P(x) \vee Q(x) \vee \neg R(S(x))$  را در نظر بگیرید. در این عبارت  $P, Q$  و  $R$  یک مسند (Predicate)  $S$  و یک تابع اسکولم (Skolem) است. این عبارت فرم کلازال (Clausal) کدام یک از جملات زیر نیست؟

$$(1) \forall x ((\neg Q(x)) \Rightarrow (\forall y \neg R(y) \Rightarrow \neg P(x)))$$

$$(2) \forall x (\forall y R(y) \Rightarrow \neg(P(x) \wedge (\neg Q(x))))$$

$$(3) \forall x \exists y (R(y) \Rightarrow (\neg P(x) \vee Q(x)))$$

$$(4) \forall x ((P(x) \wedge (\neg Q(x))) \Rightarrow \exists y (\neg R(y)))$$

۸۶- عدم انجام عمل استانداردسازی متغیرها، به کدام یک از ویژگی‌های رویه Resolution لطمه می‌زند؟

(1) درست بودن (soundness)

(2) کارایی (Efficiency)

(3) کامل بودن (completeness)

(4) فشردگی (compactness)

۸۷- کدام یک از گزینه‌های زیر در مورد استنتاج در منطق مرتبه اول (First order predicate logic) صحیح است؟

(1) برای یک پایگاه دانش KB و یک جمله  $\alpha$ ، می‌توان الگوریتمی یافت که مشخص کند آیا جمله  $\alpha$  از KB نتیجه می‌شود یا خیر؟

(2) هر آنچه که توسط الگوریتم استنتاج طبیعی (Natural Deduction) در منطق مرتبه اول قابل اثبات است، با کمک الگوریتم resolution نیز قابل اثبات است.

(3) برای استنتاج در منطق مرتبه اول، ابتدا همه جملات بایستی به فرم منطق گزاره‌ای (propositional logic) تبدیل شوند.

(4) برای استنتاج در منطق مرتبه اول به کمک الگوریتم resolution، ابتدا همه جملات بایستی به فرم کلازال منطق گزاره‌ای (Clausal propositional logic) تبدیل شوند.

۸۸- در جدول زیر اطلاعات مربوط به پنج پردازنده (process) که وارد سیستم می‌شوند داده شده است. اگر سیستم از روش زمان‌بندی نوبتی (RR) با تکه زمانی (کوآنتوم) ۴۰ ثانیه و سربرار ۱۰ ثانیه برای تعویض متن فرآیندها (context switch) استفاده کند، میانگین زمان انتظار پردازنده‌ها چقدر است؟

نام برنامه	A	B	C	D	E
زمان ورود (s)	۱۰	۲۰	۲۵۰	۲۶۰	۲۷۰
مدت زمان لازم برای اجرا (s)	۱۰۰	۵۰	۳۰	۳۰	۴۰

(1) ۴۸

(2) ۵۶

(3) ۱۰۶

(4) ۱۰۸

۸۹- در یک ساختار حافظه، سیستم صفحه‌بندی سه سطحی از آدرس مجازی مطابق فرمت زیر استفاده می‌شود. اگر نرخ برخورد هر سطح ۹۰٪ باشد، احتمال برخورد تبدیل یک آدرس مجازی به فیزیکی چقدر است؟ فرض شود که احتمال برخورد هر سطح مستقل از احتمال برخورد در سطوح دیگر است.

$P_3$	$P_2$	$P_1$	$d$
-------	-------	-------	-----

(۱) ۰/۰۰۱

(۲) ۰/۱

(۳) ۰/۷۲۹

(۴) ۰/۹

۹۰- فرض کنید که اندازه فضای آدرس منطقی، ۸ صفحه ۱۰۲۴ بایتی و اندازه حافظه فیزیکی ۳۲ قاب است. طول آدرس منطقی و آدرس فیزیکی (به ترتیب از راست به چپ) هر کدام چند بیت می‌باشد؟

(۱) ۱۱، ۹

(۲) ۱۳، ۱۱

(۳) ۱۵، ۱۳

(۴) ۱۳، ۱۵

۹۱- در خواست‌های مربوط به دیسک که توسط درایور دیسک دریافت شده‌اند، به ترتیب برای سلنیدرهای ۵، ۲۵، ۱۸، ۳، ۳۹، ۸ و ۳۵ هستند. زمان پیگرد (seek) برای حرکت بازو از یک سلنیدر به سلنیدر دیگر (سلنیدرهای متوالی) برابر با ۵ میلی‌ثانیه است. چه مدت زمان نیاز است تا این درخواست‌ها توسط الگوریتم SSF (کوتاه‌ترین زمان پیگرد، اول) پاسخ داده شوند؟ فرض می‌شود که هنگامی که آخرین درخواست مطرح شد و هنوز هیچکدام از درخواست‌ها پاسخ داده نشده‌اند، محل بازو بر روی سلنیدر ۲۰ است.

(۱) ۱۲۵

(۲) ۲۹۵

(۳) ۵۷۵

(۴) ۷۵۰

۹۲- کدام گزینه درباره نرخ برخورد (hit ratio) در TLB درست نیست؟

(۱) اگر تعداد خانه‌های TLB بیشتر شود نرخ برخورد بیشتر می‌شود.

(۲) اگر اندازه صفحه‌ها بزرگتر شود نرخ برخورد بیشتر می‌شود.

(۳) برای صفحه‌های با اندازه ثابت، اگر طول آدرس فیزیکی بیشتر شود نرخ برخورد تغییر نمی‌کند.

(۴) برای صفحه‌های با اندازه ثابت، با افزایش اندازه قطعه (segment)، نرخ برخورد بیشتر می‌شود.

۹۳- سامانه‌ای را در نظر بگیرید که در آن سه پردازنده  $P_1, P_2, P_3$  و چهار منبع  $R_1, R_2, R_3, R_4$  وجود دارند و حالت سامانه به صورت جدول زیر باشد، وضعیت این سامانه چگونه است؟

	تخصیص				نیاز				موجود			
	$R_1$	$R_2$	$R_3$	$R_4$	$R_1$	$R_2$	$R_3$	$R_4$	$R_1$	$R_2$	$R_3$	$R_4$
$P_1$	۰	۰	۱	۰	۲	۰	۰	۱	۲	۱	۰	۰
$P_2$	۲	۰	۰	۱	۱	۰	۱	۰				
$P_3$	۰	۱	۲	۰	۲	۱	۰	۰				

- (۱) در حالت مطمئن است.  
 (۲) در حالت غیرمطمئن است.  
 (۳) در حالت بن‌بست است.  
 (۴) در حالت بن‌بست نیست اما حالت سامانه مطمئن نیست.

معماری کامپیوتر:

۹۴- عدد دو رقمی دهدهی  $A$  مفروض است. برای محاسبه خروجی دهدهی  $50 \times A$ ، حداقل سخت‌افزار مورد نیاز کدام است؟

- (۱) دو عدد  $H.A$  و یک عدد  $F.A$   
 (۲) دو جمع‌کننده دودویی 4 بیتی  
 (۳) یک جمع‌کننده دهدهی دو رقمی  
 (۴) به سخت‌افزار (گیت‌ها و بلوک‌های منطقی) خاصی نیاز نیست و صرفاً با ارتباطات سیمی مناسب قابل انجام است.
- ۹۵- در یک کامپیوتر مقدار اعداد ممیز شناور 32 بیتی  $(b_{31} b_{30} \dots b_0)$  به صورت

$$\left( \left( \sum_{i=m}^{31} 2^{i-m} b_i \right) - 2^{32-m} \right) \times 2^{\left( \sum_{i=0}^{m-1} 2^i b_i \right) - 2^{m-1}}$$

نمایش  $2^{-128}$  باشد مقدار  $m$  برابر است با:

- (۱) 6  
 (۲) 8  
 (۳) 10  
 (۴) 12
- ۹۶- در یک سیستم کامپیوتری مبتنی بر حافظه نهان فرض کنید زمان دسترسی به حافظه نهان 2 نانوثانیه و زمان دسترسی به حافظه اصلی 5 نانوثانیه باشد. کدام گزینه صحیح است؟
- (۱) برای این که حافظه نهان باعث افزایش سرعت اجرای برنامه‌ها شود باید نرخ اصابت بزرگ‌تر از 0.4 باشد.  
 (۲) برای این که حافظه نهان باعث افزایش سرعت اجرای برنامه‌ها شود باید نرخ اصابت بزرگ‌تر از 0.6 باشد.  
 (۳) برای این که حافظه نهان باعث افزایش سرعت اجرای برنامه‌ها شود باید نرخ اصابت بزرگ‌تر از 0.8 باشد.  
 (۴) استفاده از حافظه نهان در هر صورتی باعث افزایش سرعت اجرای برنامه‌ها خواهد شد.



۹۷- یک طراح پردازنده می‌خواهد برای طراحی واحد پردازش ممیز شناور کامپیوتر خود تصمیم‌گیری کند. او می‌داند که کدگذاری هر عدد ممیز شناور در قالبی متشکل از سه بخش علامت (S)، نما (E) و بخش کسری (F) سازماندهی می‌شود. اما او برای قرار دادن این سه بخش در کنار هم دچار تردید شده است. در کل شش راه برای چینش این سه بخش در پیش روی او قرار دارد:

**SFE, SEF, ESF, EFS, FSE, FES**

از نظر مزایای هر چینش، او بهتر است کدام یک را برگزیند؟

- (۱) چینش SFE بهتر است زیرا مزیت آن این است که به شکل طبیعی هر بخش سر جای خویش قرار گرفته یعنی ابتدا علامت، سپس مقدار و آنگاه نما قرار گرفته است.
- (۲) چینش SEF بهتر است زیرا انجام عملیات جمع و تفریق و ضرب و تقسیم ممیز شناور که در زمره عملیات دشوار محسوب می‌شوند در این چینش به آسانی و با پیچیدگی کمتری قابل انجام هستند.
- (۳) چینش SEF بهتر است زیرا به جز S که ارزش علامت را دارد، هر بیت پرارزش در مکان پرارزش و هر بیت کم‌ارزش در مکان کم‌ارزش قرار گرفته و می‌توان مقایسه اعداد ممیز شناور را بدون در نظر گرفتن علامت انجام داد.
- (۴) اصولاً تفاوتی بین این شش چینش وجود ندارد و کلاً هم قرار گرفتن آنها هر چه باشد می‌توان از ایده نمای اریب (بایاس) استفاده کرد و تنها با این ایده و بدون استفاده از متمم 2 به بیت‌های بالاتر ارزش بیشتری داد و محاسبات جمع و تفریق و ضرب و تقسیم ممیز شناور را که دشوار محسوب می‌شوند به آسانی و با پیچیدگی کمتری انجام داد.

۹۸- در یک سلسله مراتب حافظه حجم حافظه اصلی برابر 8 MBYTE و حجم حافظه نهان انجمنی 8 راهه (8-way set Associative) برابر با 256 KBYTE است. تعداد بیت‌های نشانه (tag) کدام است؟

- (۱) 6
- (۲) 7
- (۳) 8
- (۴) 9

۹۹- دو پردازنده پایپ لاین یکی با 5 مرحله و تأخیر 2 ns در هر مرحله و دیگری با 8 مرحله و تأخیر 1.5 ns در هر مرحله موجودند. اگر از تأخیر ثبات‌های میان مراحل صرف‌نظر شود و تعداد بسیار زیاد دستورالعمل را بتوان بدون هیچ وقفه‌ای در این دو پردازنده اجرا کرد، کدام یک از موارد زیر در مقایسه این دو پردازنده درست است؟

- (۱) پردازنده دارای 5 مرحله 1.33 برابر سریع‌تر است.
- (۲) پردازنده دارای 8 مرحله 1.33 برابر سریع‌تر است.
- (۳) پردازنده دارای 5 مرحله 1.67 برابر سریع‌تر است.
- (۴) پردازنده دارای 8 مرحله 1.67 برابر سریع‌تر است.

۱۰۰- در یک مجموعه دستورالعمل مشخص دو نوع کلاس دستور A و B وجود دارد. این دستورالعمل‌ها در پردازنده‌های  $P_1$  و  $P_2$  به نحوی پیاده‌سازی شده‌اند که دستورهای نوع A در  $P_1$  و  $P_2$  به ترتیب در 3 و 5 سیکل ساعت و دستورهای نوع B در  $P_1$  و  $P_2$  به ترتیب در 4 و 3 سیکل ساعت اجرا می‌شوند. سرعت کاری پردازنده‌های  $P_1$  و  $P_2$  به ترتیب برابر با 200 MHz و 300 MHz است. اگر زمان اجرای یک برنامه خاص در هر دو پردازنده یکسان باشد، در این برنامه تعداد دستورهای نوع A چند برابر تعداد دستورهای نوع B است؟

$$\frac{1}{6} \quad (۱)$$

$$\frac{1}{7} \quad (۲)$$

$$6 \quad (۳)$$

$$7 \quad (۴)$$

۱۰۱- پردازنده‌ای دارای گذرگاه آدرس 32 بیتی، گذرگاه داده 64 بیتی، ورودی / خروجی از نوع Memory mapped I/O است. با فرض متصل کردن 10 دستگاه I/O که هر یک 512 ثبات وضعیت، 512 ثبات فرمان و 512 ثبات داده دارند، پردازنده حداکثر چند بایت حافظه را می‌تواند آدرس‌دهی کند؟

$$(۱) \quad 4 \text{ گیگابایت منهای } 10240 \text{ بایت}$$

$$(۲) \quad 4 \text{ گیگابایت منهای } 15360 \text{ بایت}$$

$$(۳) \quad 4 \text{ گیگابایت}$$

$$(۴) \quad 2^{64} \text{ بایت}$$

۱۰۲- یک حافظه نهان (cache) با ظرفیت (حجم) ثابتی مفروض است در حالت اول این حافظه را به صورت مستقیم (Direct) سازمان‌دهی می‌کنیم و در حالت دوم آن را به صورت انجمنی گروهی چهار راهه (four way set associative) در می‌آوریم. حال با توجه به مفروضات مذکور کدام یک از عبارات زیر صحیح هستند؟

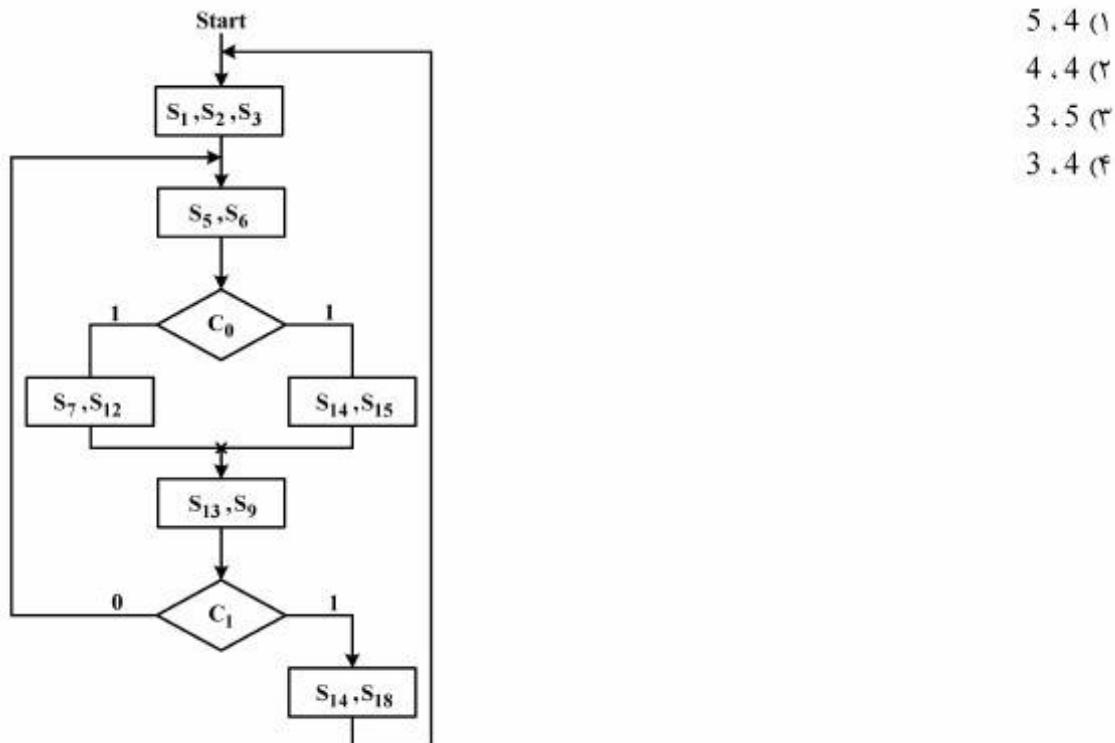
(۱) درصد دسترسی‌های ناموفق در حالت دوم نسبت به حالت اول بیشتر است.

(۲) در حالت دوم در صورتی که داده مورد جستجو در حافظه نهان وجود داشته باشد زمان دسترسی به آن نسبت به حالت اول کمتر است.

(۳) در حالت دوم در صورت نبودن داده در حافظه نهان زمان لازم برای آوردن داده از حافظه اصلی نسبت به حالت اول کمتر است.

(۴) در حالت اول در صورتی که داده مورد جستجو در حافظه نهان وجود داشته باشد زمان دسترسی به آن نسبت به حالت دوم کمتر است.

۱۰۳- چارت عملیات سخت‌افزاری در یک سیستم دیجیتال در شکل زیر نشان داده شده است. فعالیت سیگنال‌های کنترل برای اجرای هر جعبه عملیاتی درون آن نمایش داده شده است و شرط واریسی شده در هر جعبه شرطی نشان داده شده است. در طراحی مدار کنترل سیم‌بندی شده مستقیم این سیستم چه تعداد گیت and و or استفاده می‌شود؟



۱۰۴- در یک سیستم دیجیتال 120 سیگنال کنترلی وجود دارد و در چارت عملیاتی سیستم 8 شرط متفاوت واریسی می‌شود. بررسی الگوهای فعالیت سیگنال‌های کنترل در ریزدستورات نشان می‌دهد که می‌توان با استفاده از روش حافظه نانو طول ریزدستور را به 14 بیت کاهش دهیم. در این صورت کدام گزینه صحیح است؟

- (۱) طول فیلد  $\mu$ OPCODE سه بیت است.
- (۲) حجم حافظه نانو  $2^{10} \times 120$  بیت است.
- (۳) در حجم ریزحافظه می‌توان  $2^{10} \times 110$  بیت صرفه‌جویی کرد.
- (۴) با توجه به اطلاعات داده شده حجم حافظه نانو قابل تعیین نیست.

۱۰۵- کدام عبارت در خصوص روش‌های طراحی مدار کنترل صحیح است؟

- (۱) روش ریزبرنامه‌سازی شده فقط مناسب طراحی ریزپردازنده RISC است.
- (۲) روش سیم‌بندی شده در خصوص پردازنده‌های لوله‌ای قابل استفاده است.
- (۳) در روش ریزبرنامه‌سازی شده به دلیل عدم همزمانی فعالیت تعداد زیاد سیگنال می‌توان با استفاده از حافظه نانو حجم ریزحافظه را کاهش داد.
- (۴) در روش ریزبرنامه‌سازی به دلیل محدود بودن الگوهای فعالیت سیگنال‌ها در ریزدستورات می‌توان از روش ریزدستورات عمودی برای کاهش حجم ریزحافظه استفاده کرد.

